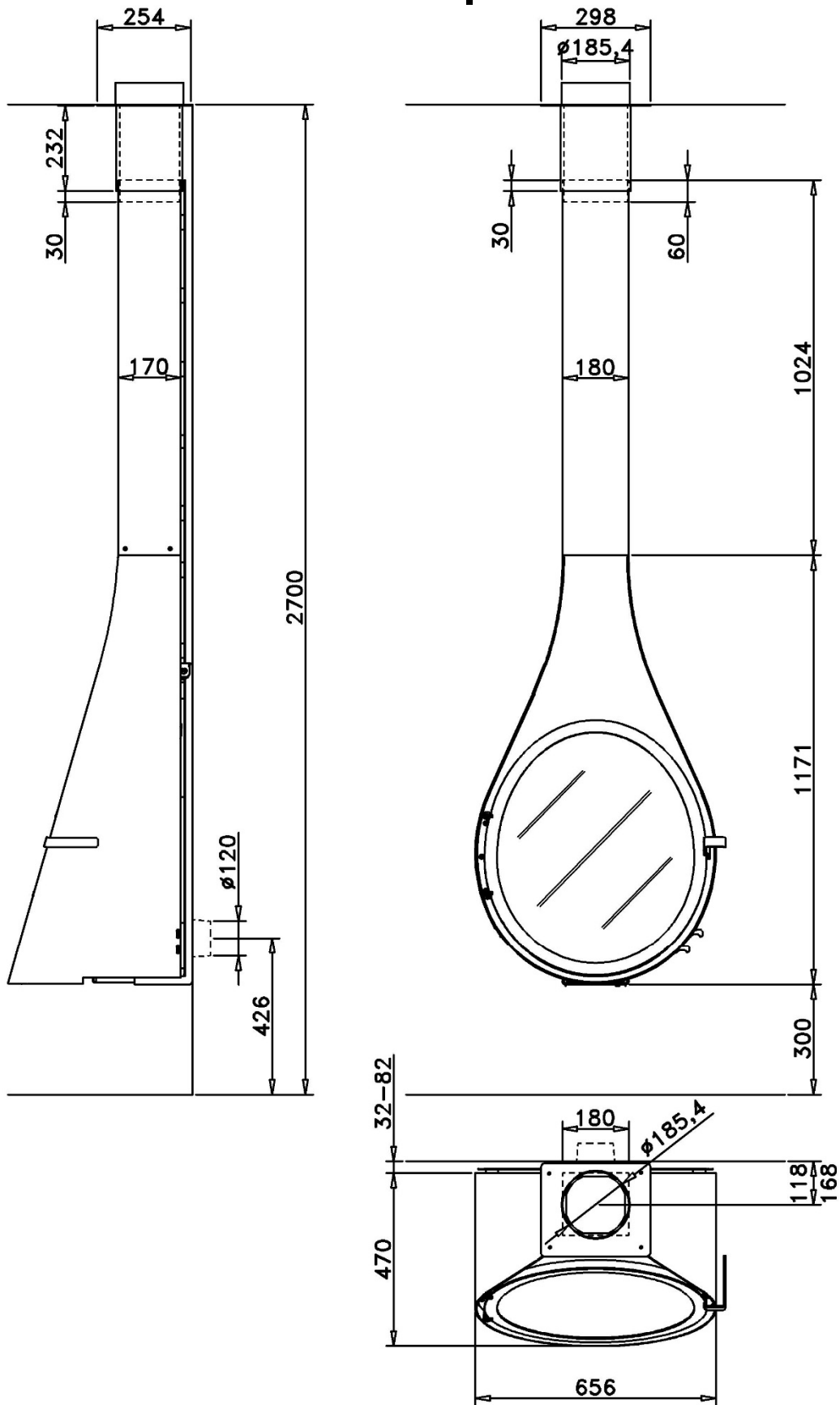
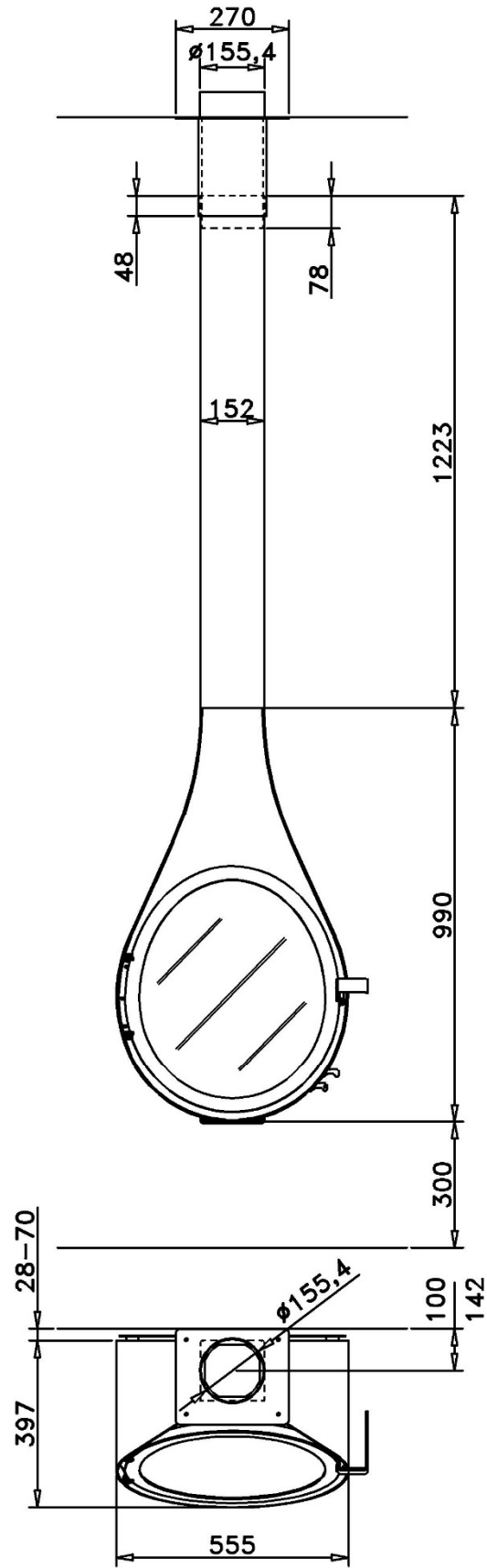
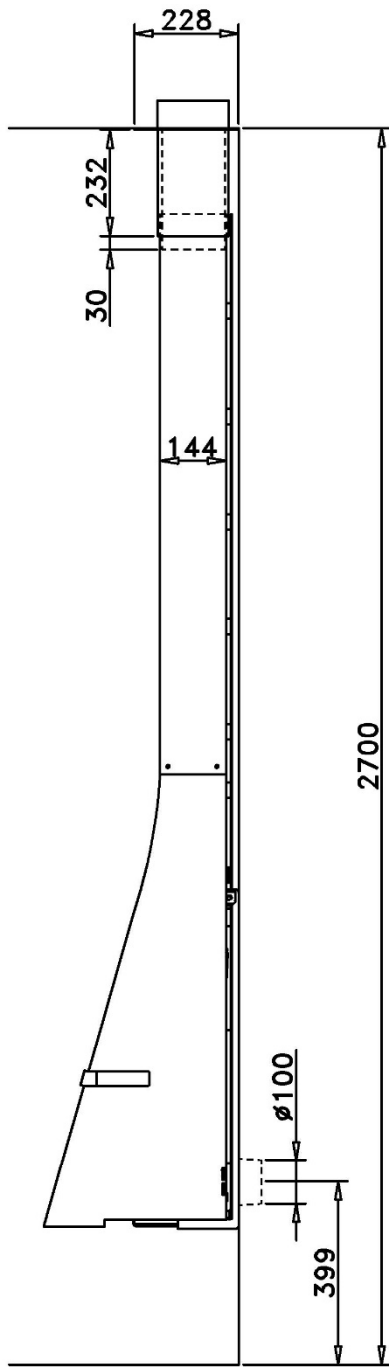
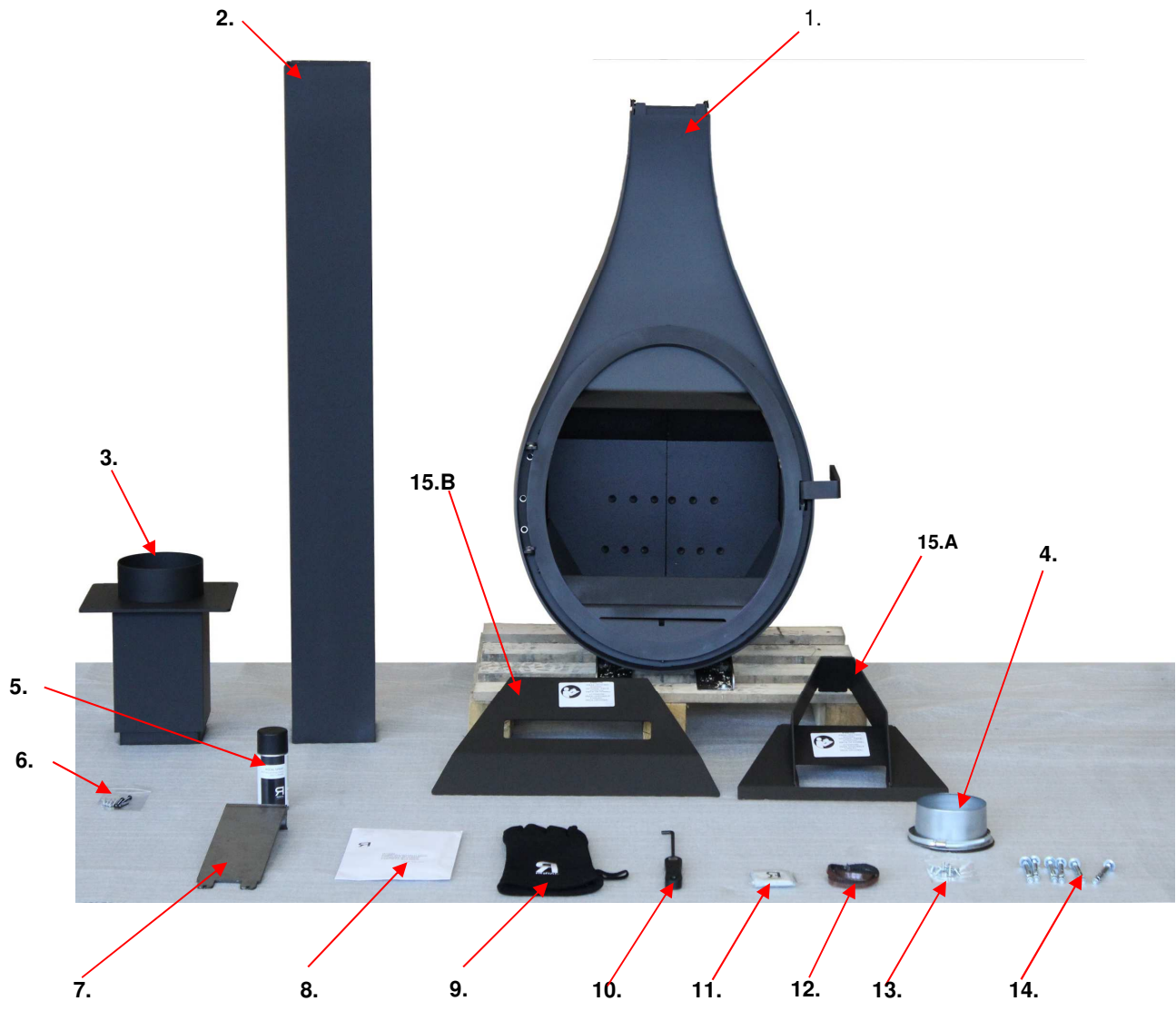


I Drop



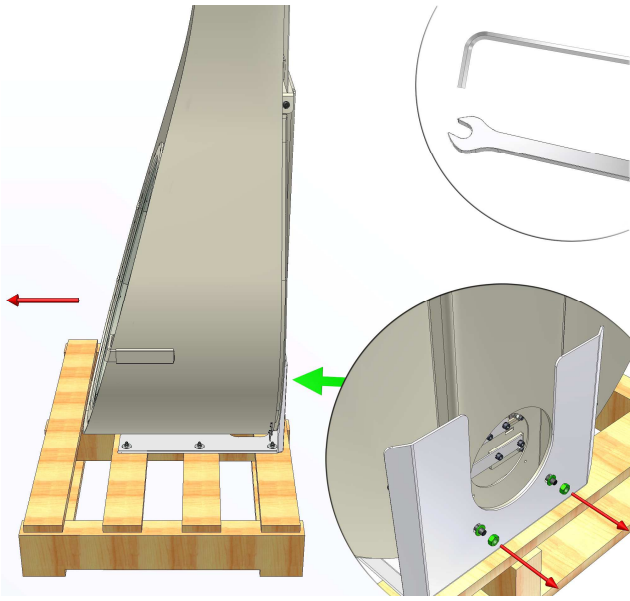
Mini Drop



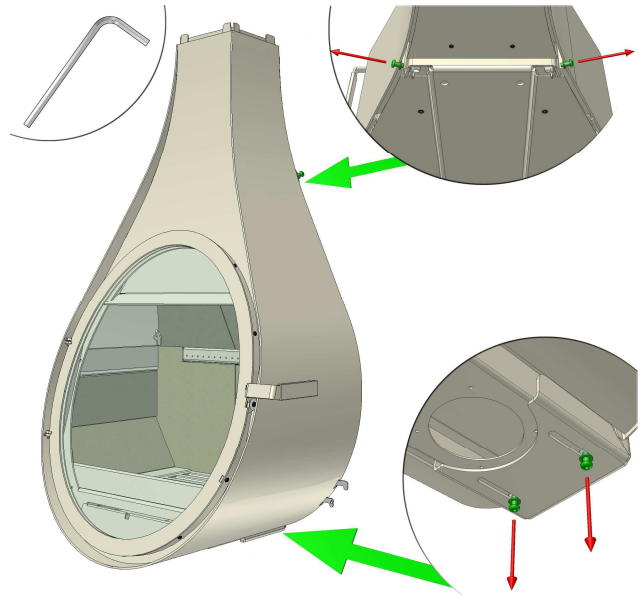




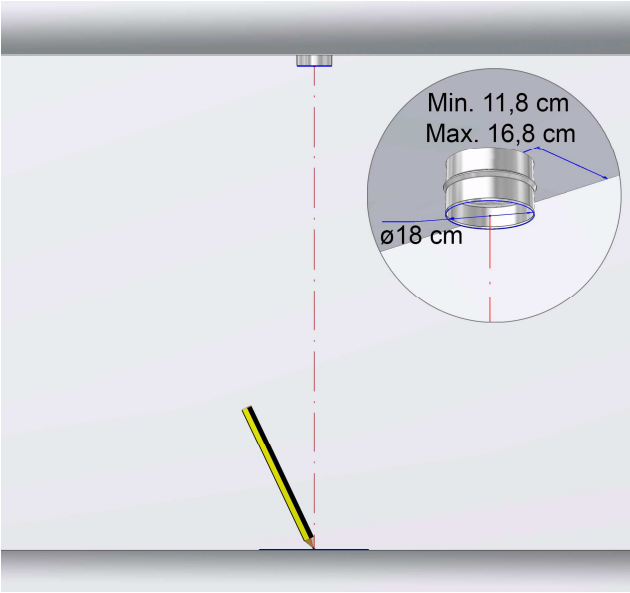
1



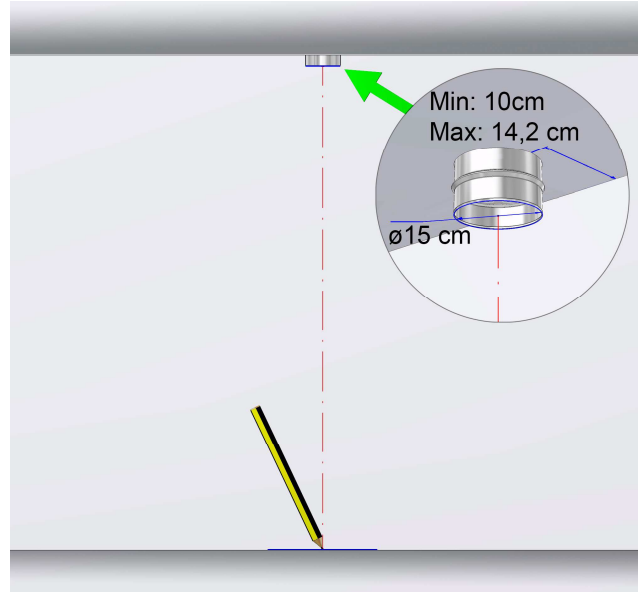
2



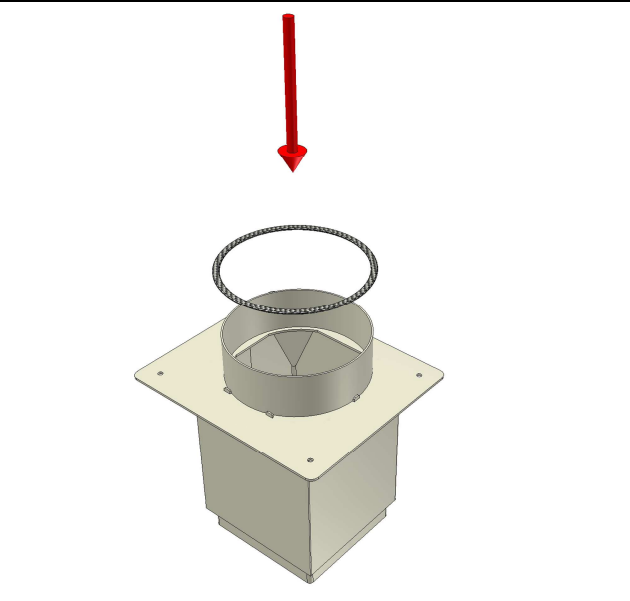
3. Drop



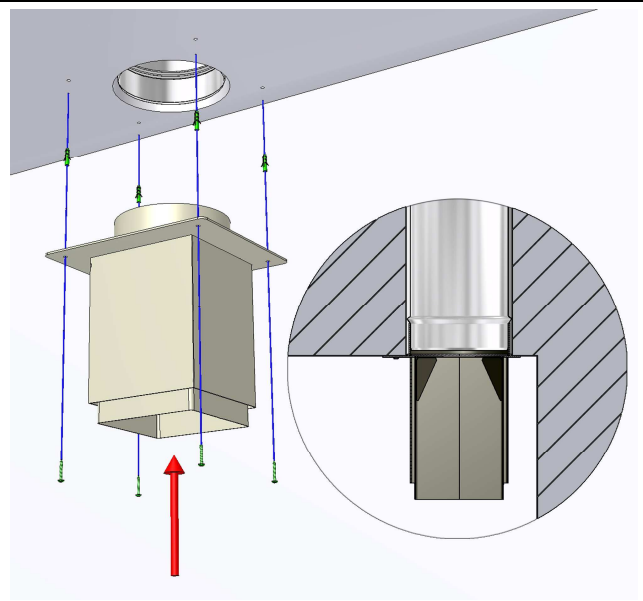
3. Mini Drop



4.

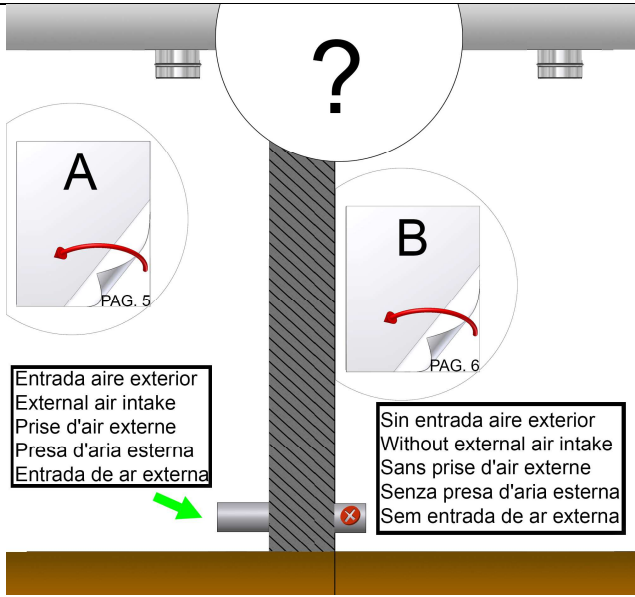


5.

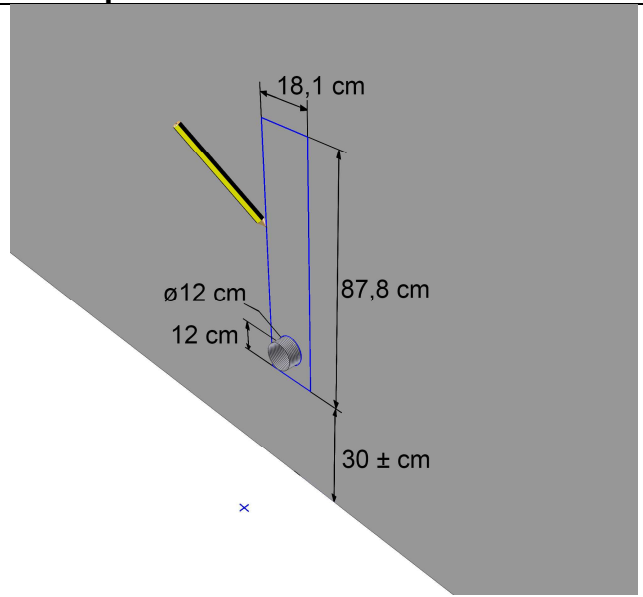


III

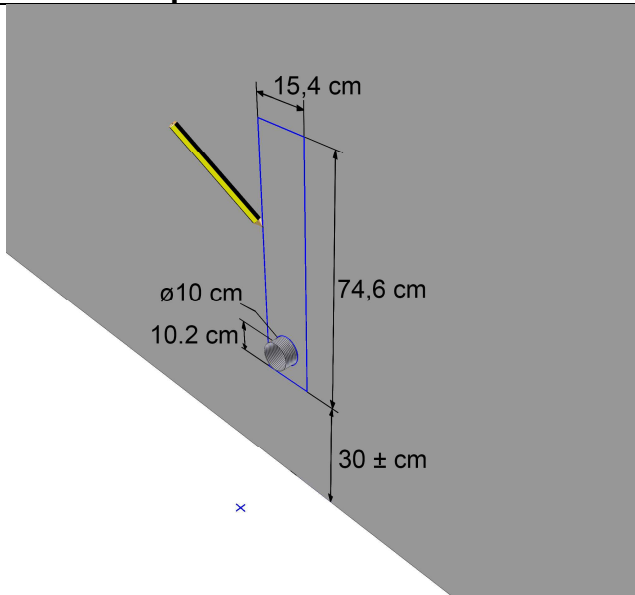
6.



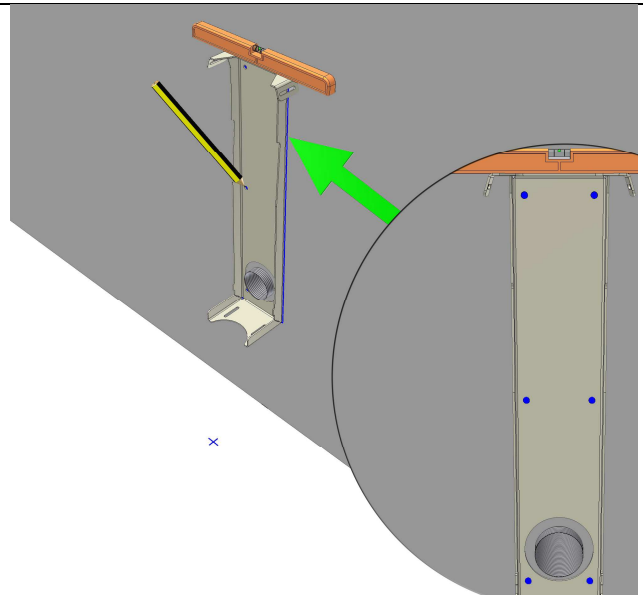
A.1 Drop



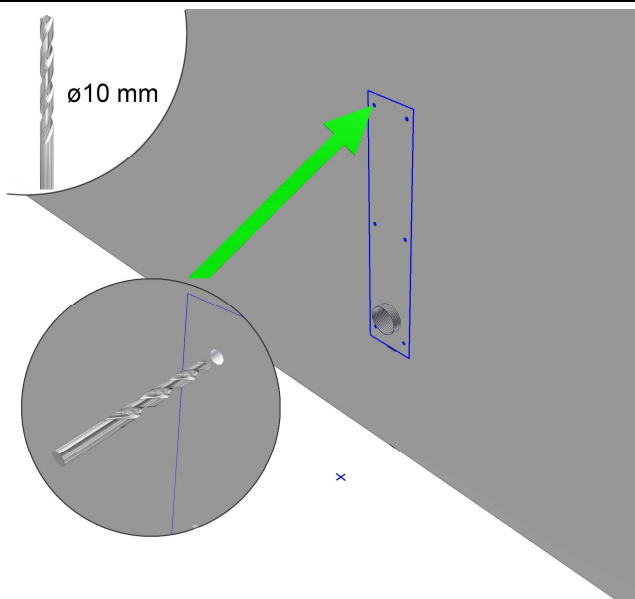
A.1 Mini Drop



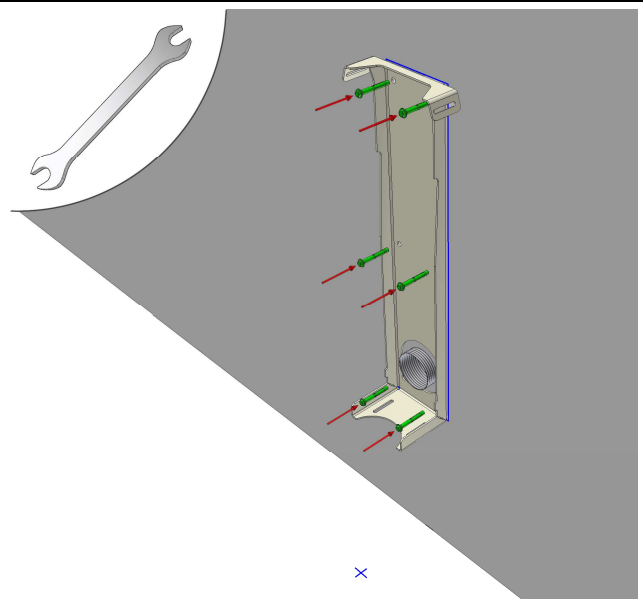
A.2



A.3



A.4

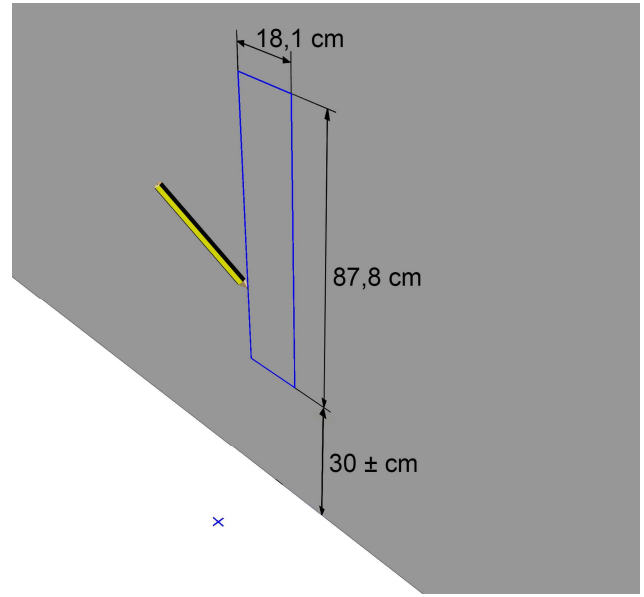


III

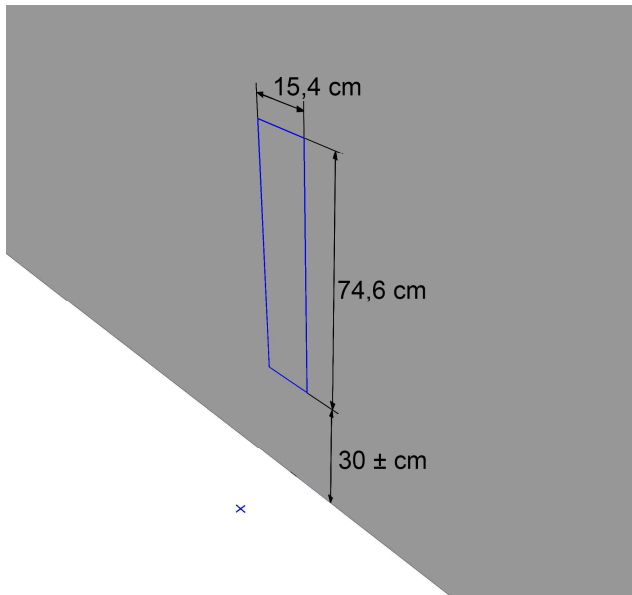
A.5



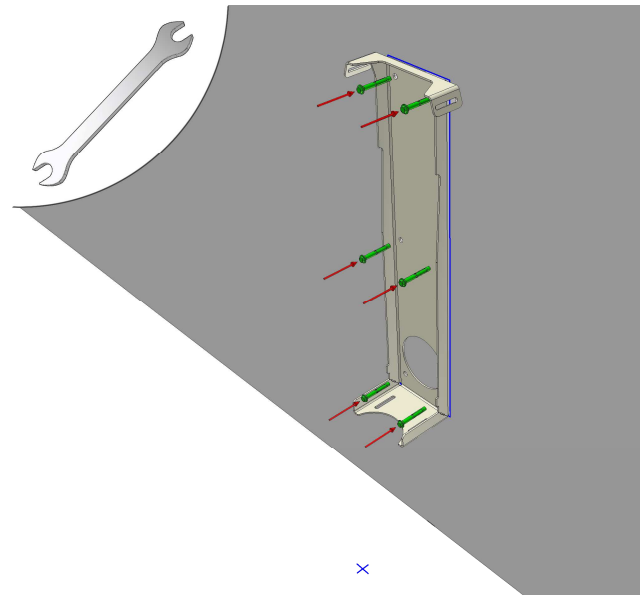
B.1 Drop



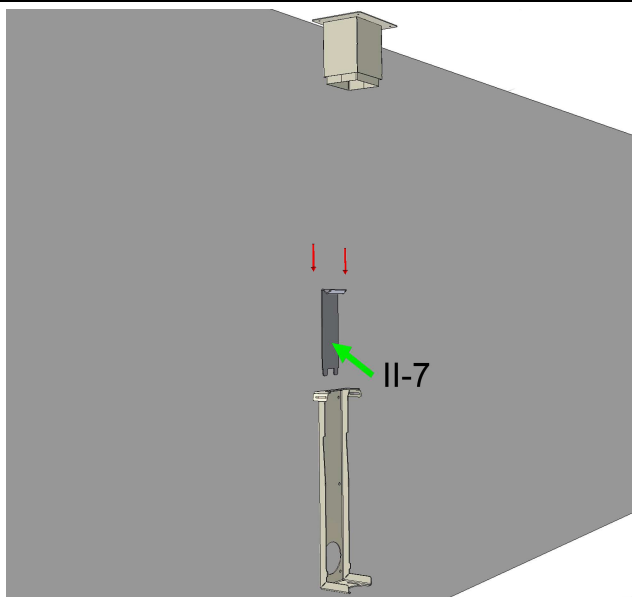
B.1 Mini Drop



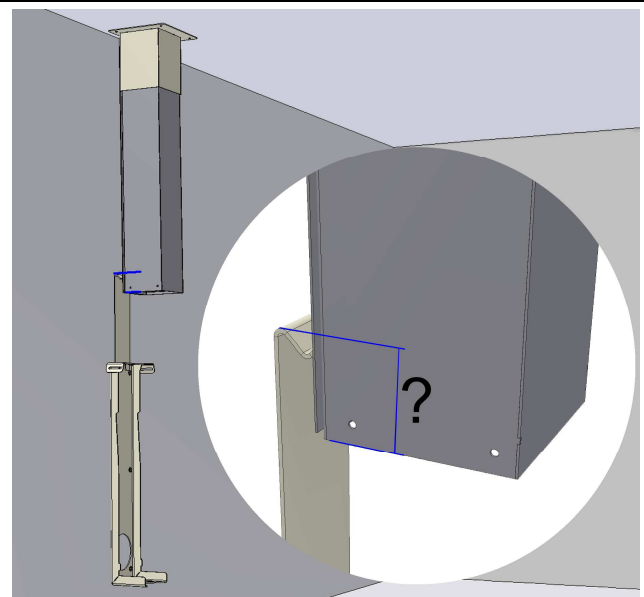
B.2



B.3

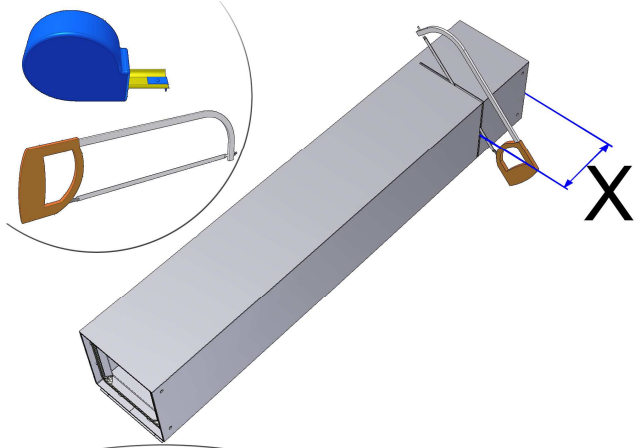


B.4



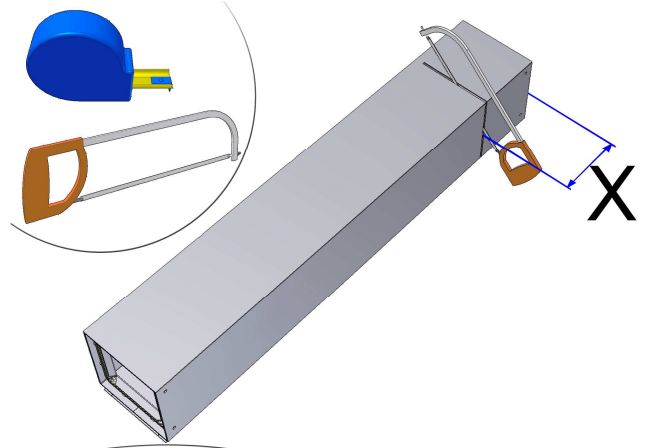
III

B.5 Drop



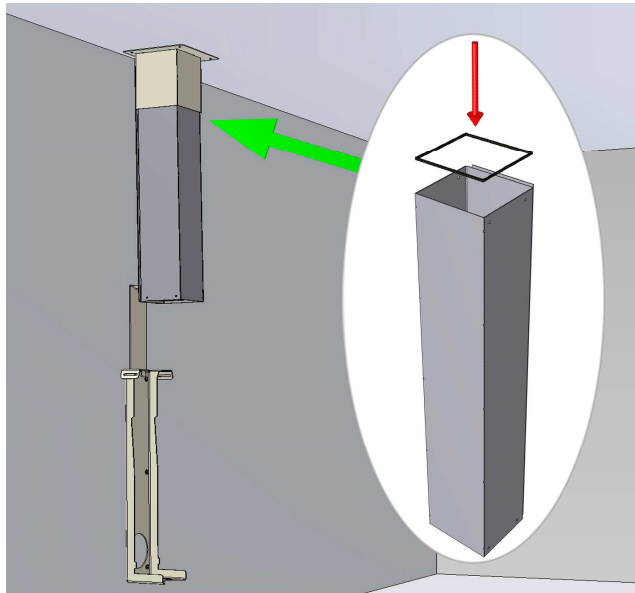
$$X = ? + 10 \text{ cm}$$

B.5 Mini Drop

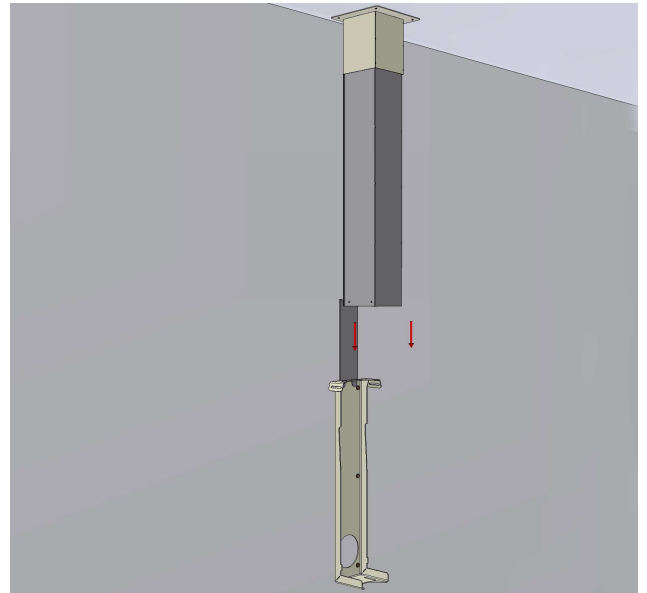


$$X = ? + 8.5 \text{ cm}$$

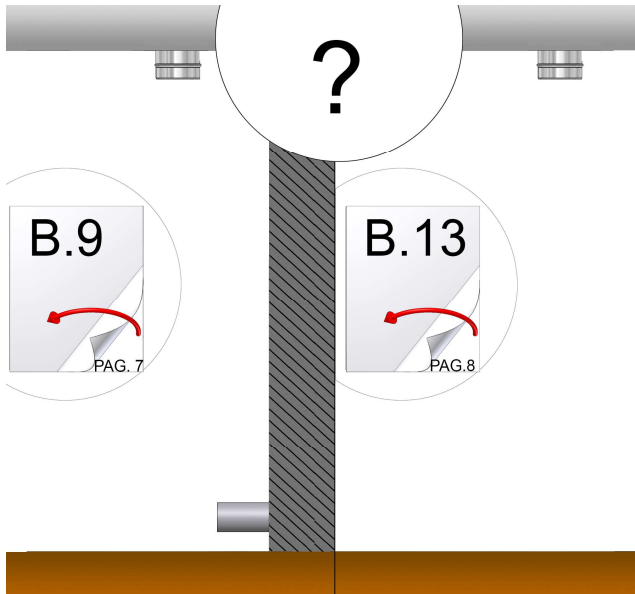
B.6



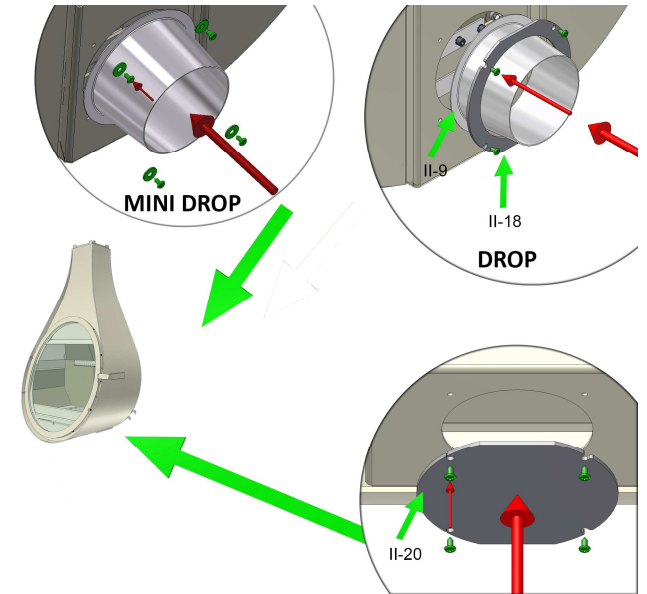
B.7



B.8

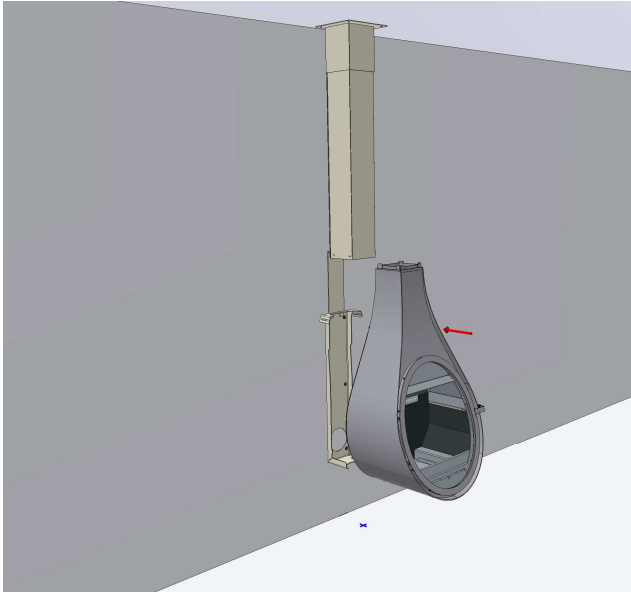


B.9

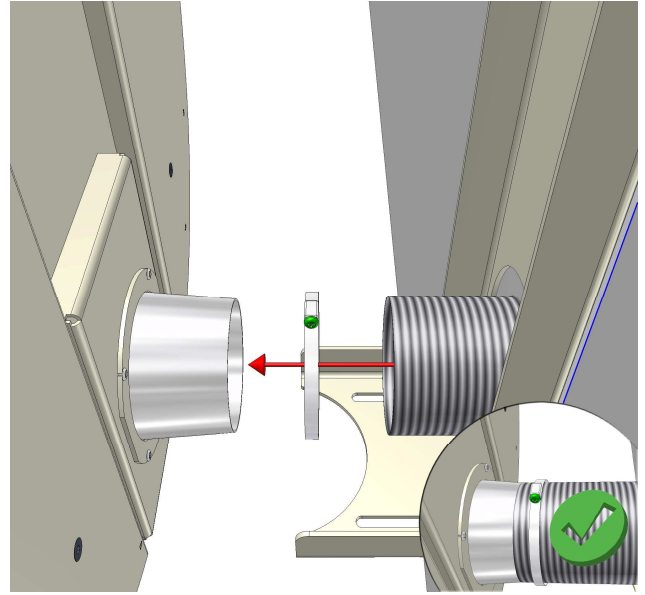


III

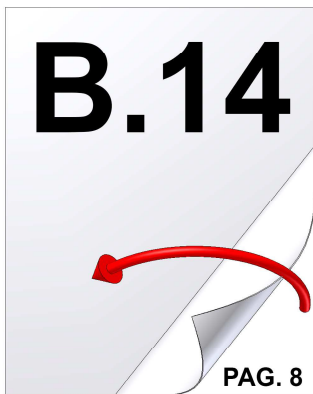
B.10



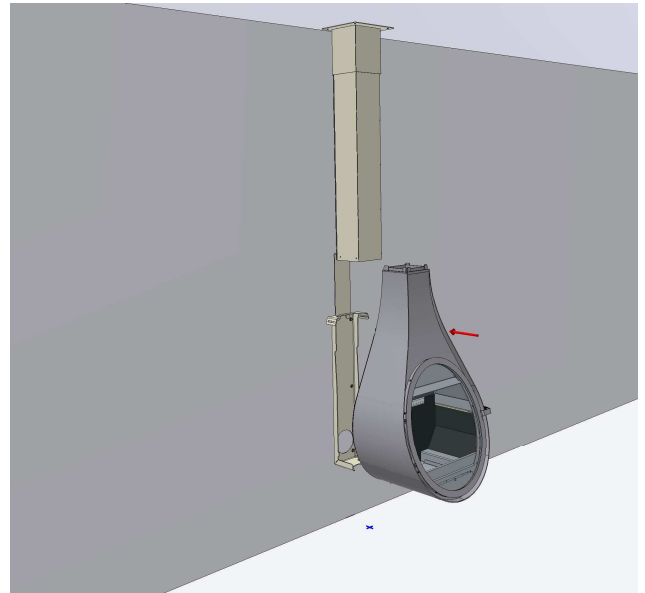
B.11



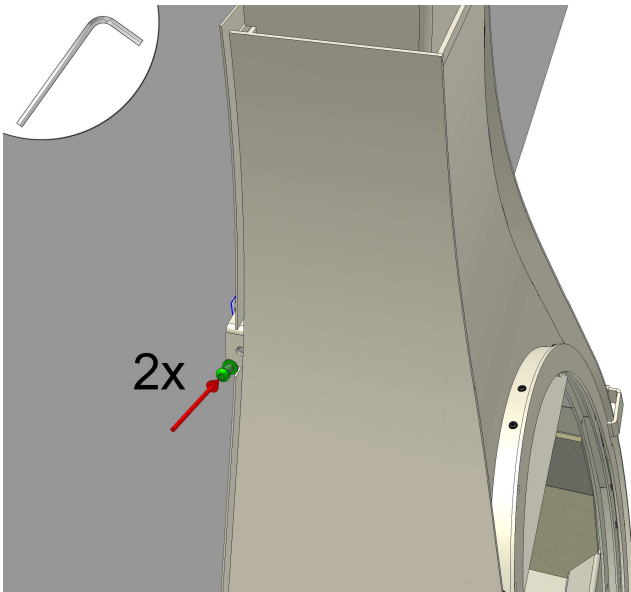
B.12



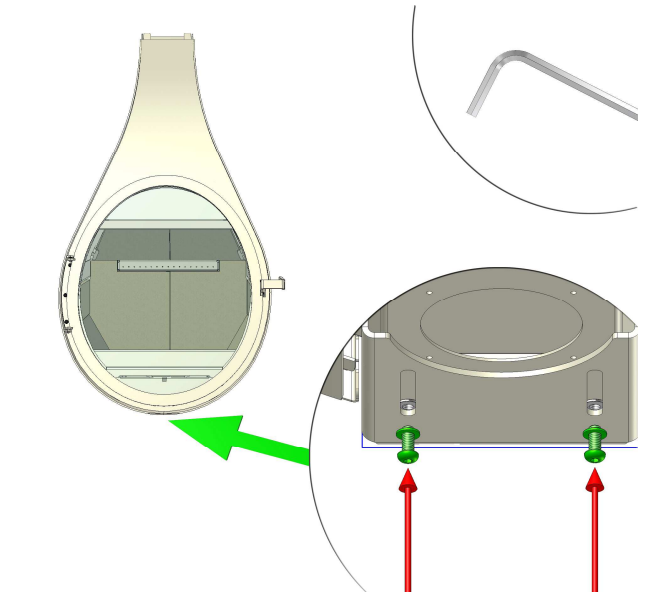
B.13



B.14

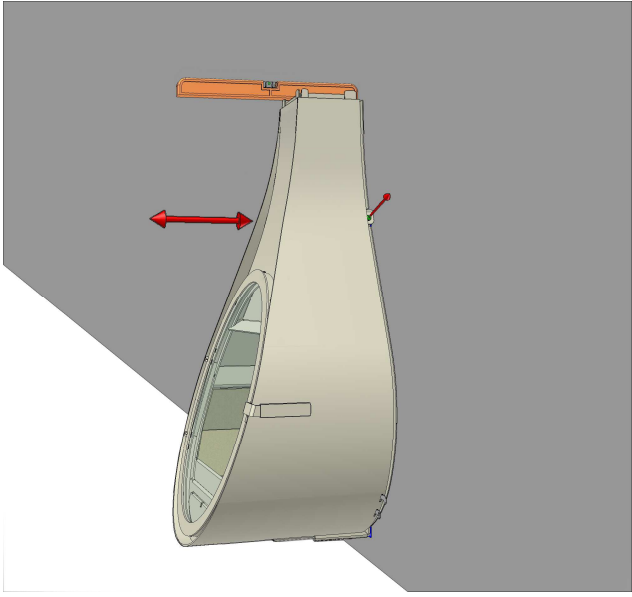


B.15

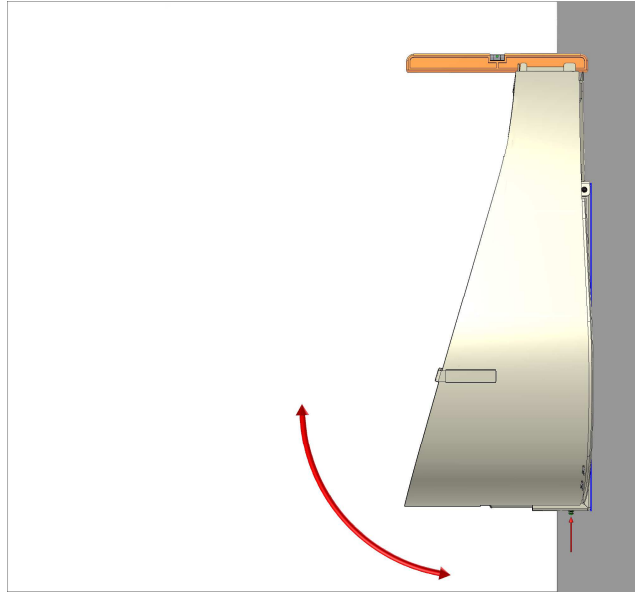


III

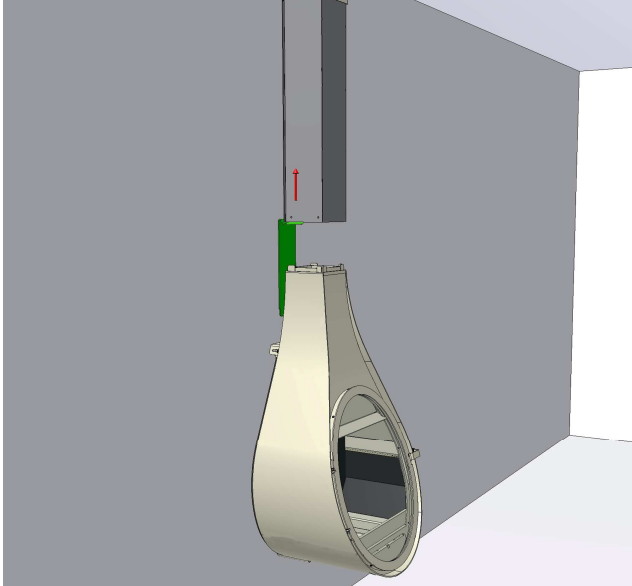
B.16



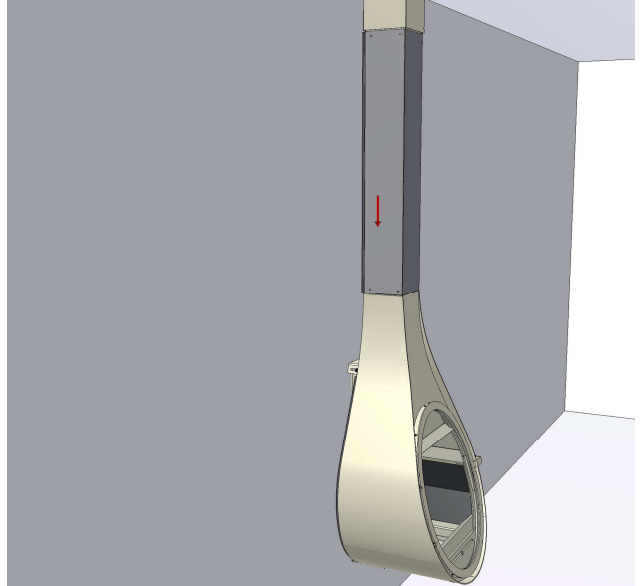
B.17



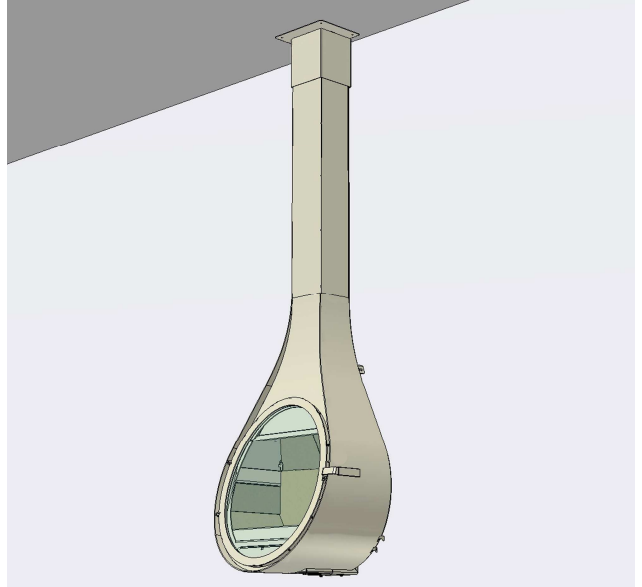
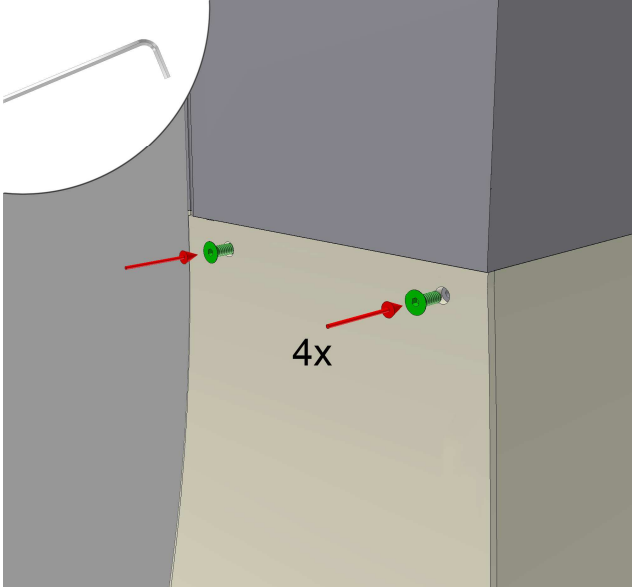
B.18



B.19

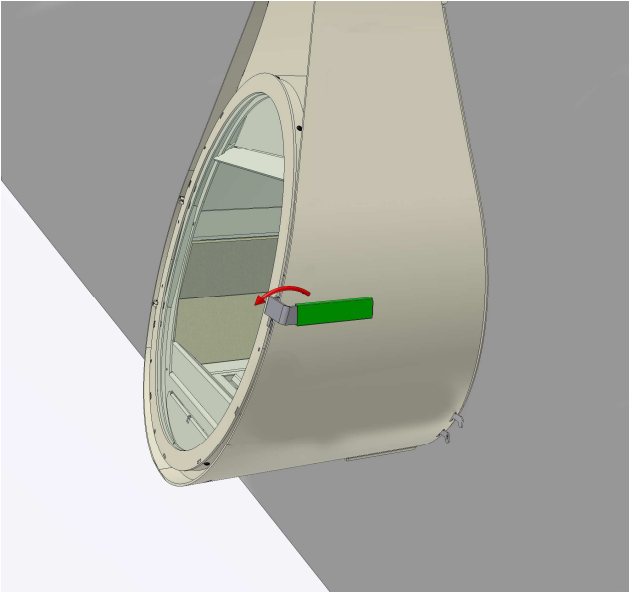


B.20

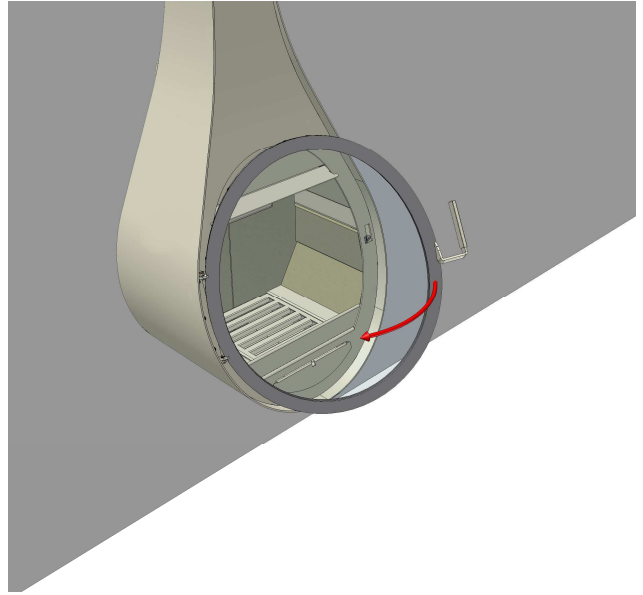


IV

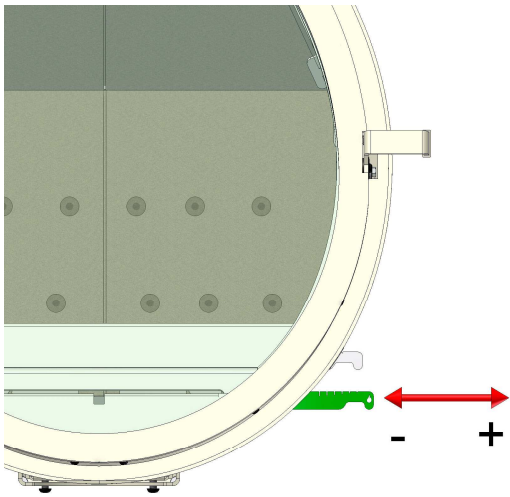
C.1



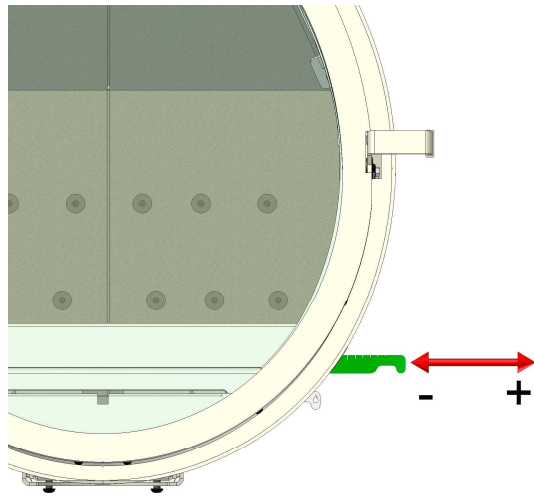
C.2



C.3



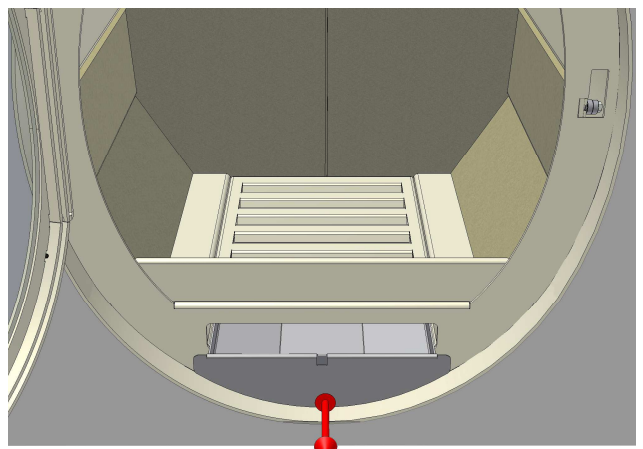
C.4



C.5



C.6



IV

C.7 (Mini Drop)

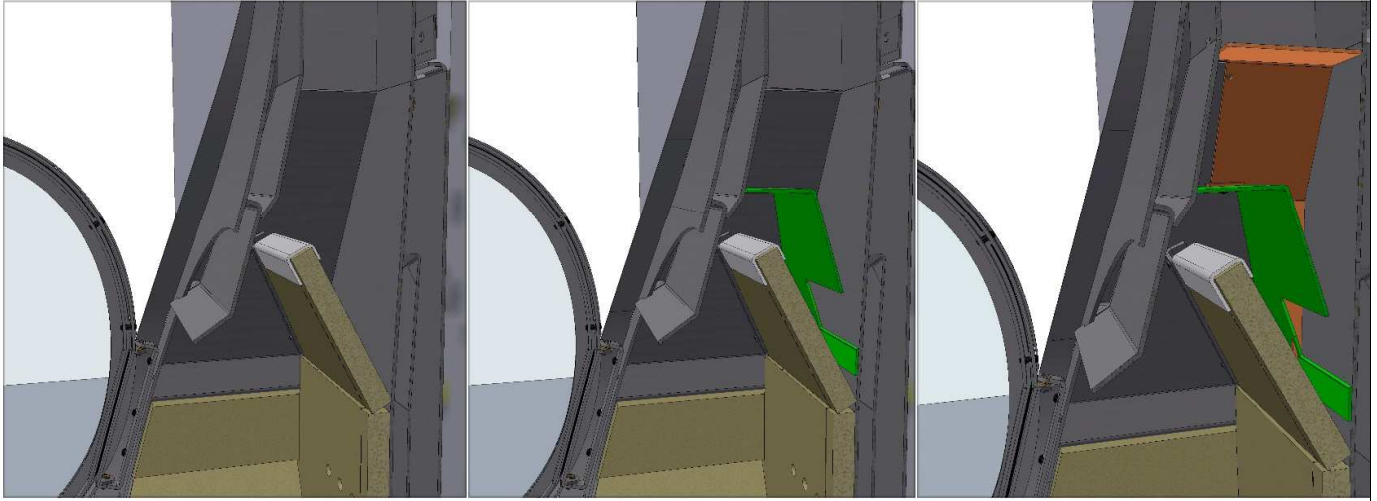
C.7A(Mini Drop)

C.7B (Mini Drop)

< 5 m | 13 Pa

> 5 m | 13 Pa

> 7 m | 20 Pa

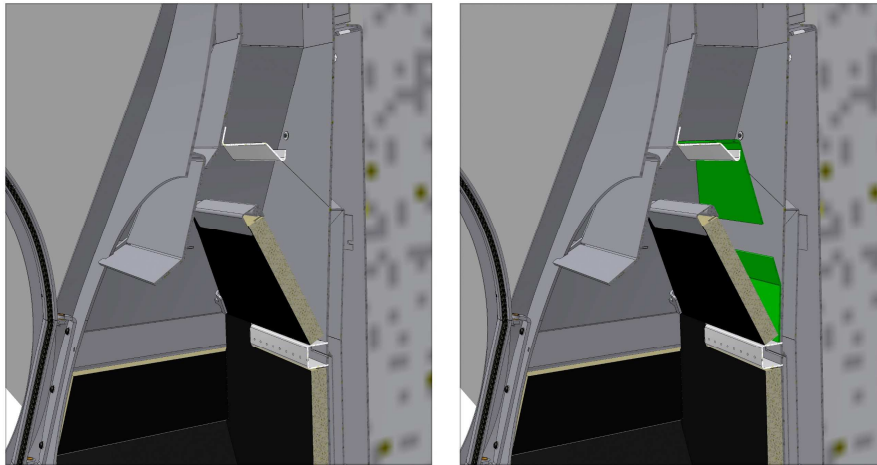


C.7 (Drop)

C.7A (Drop)

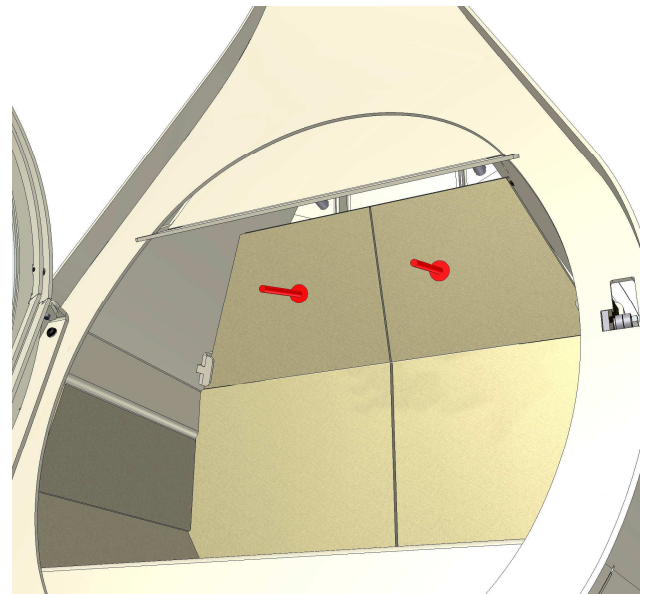
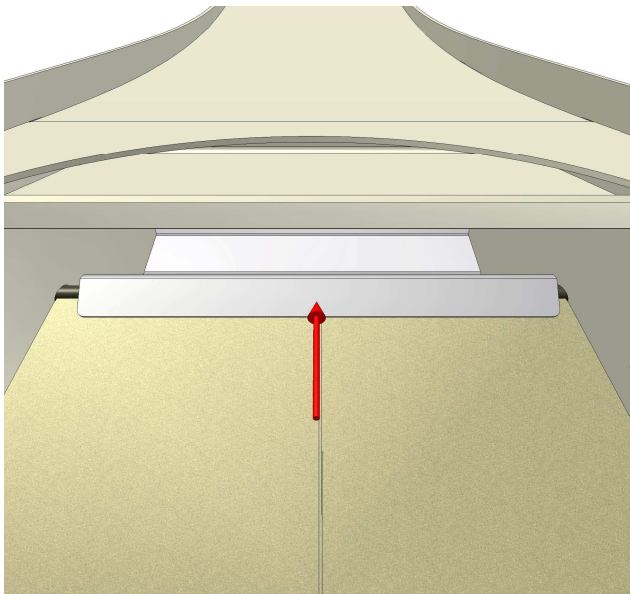
< 5 m | 13 Pa

> 5 m | 13 Pa



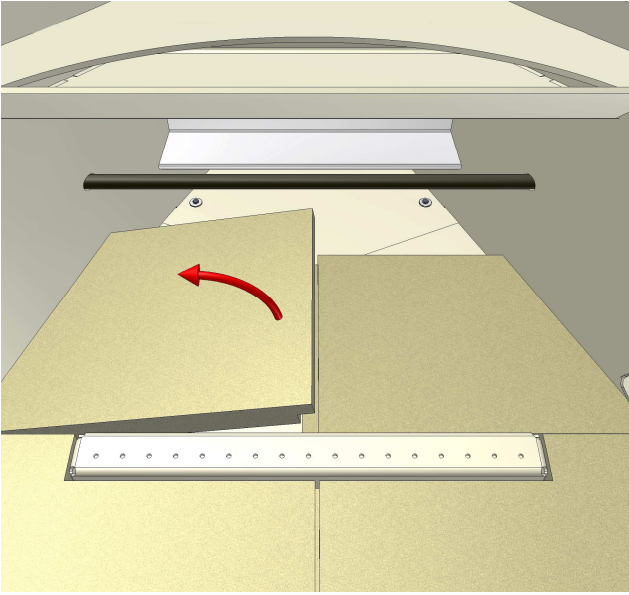
C.8 (Drop)

C.9 (Drop)

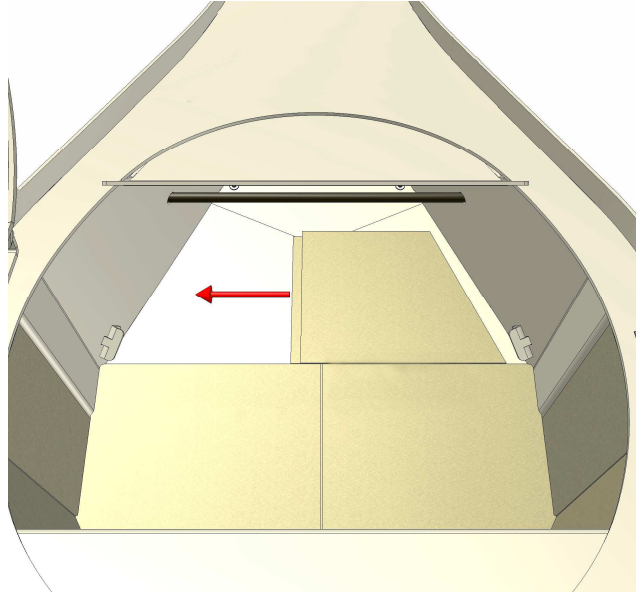


IV

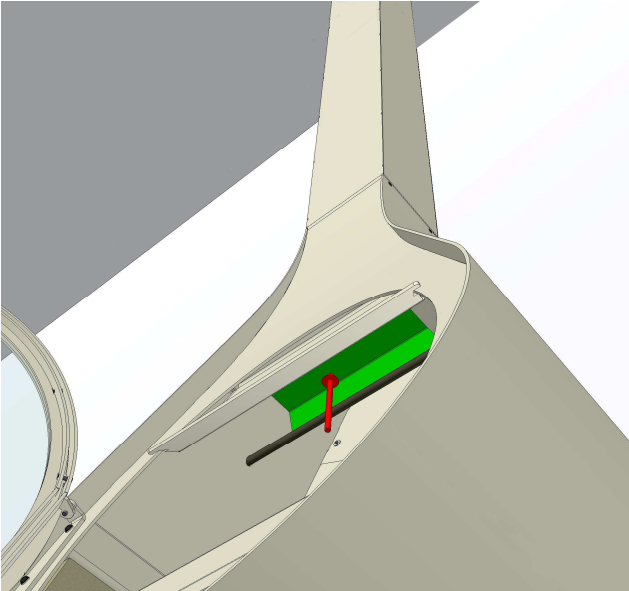
C.10 (Drop)



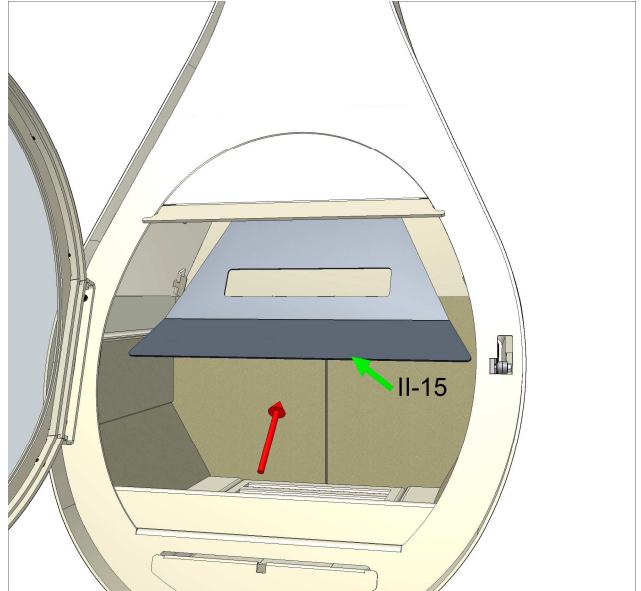
C.11 (Drop)



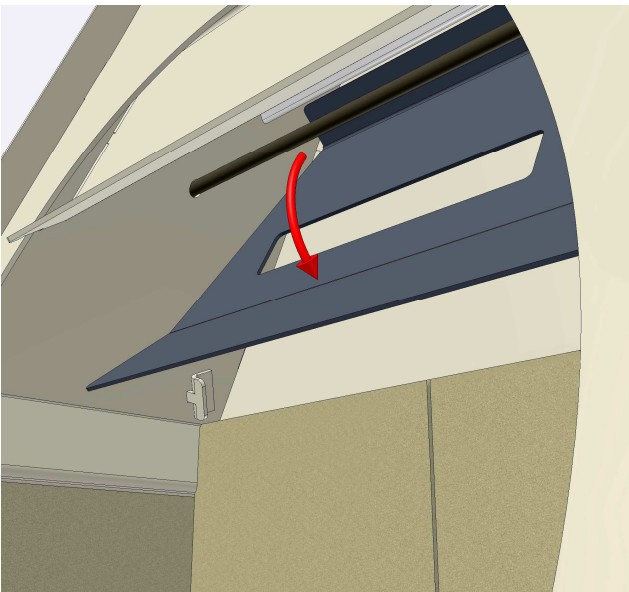
C.12 (Drop)



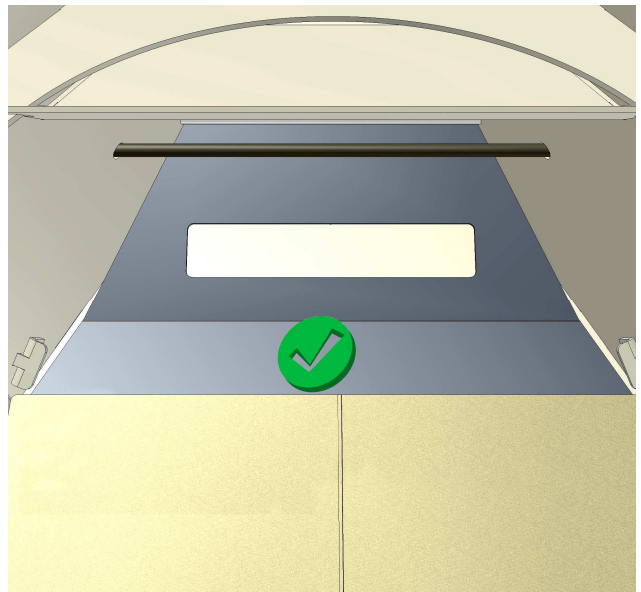
C.13 (Drop)



C.14 (Drop)

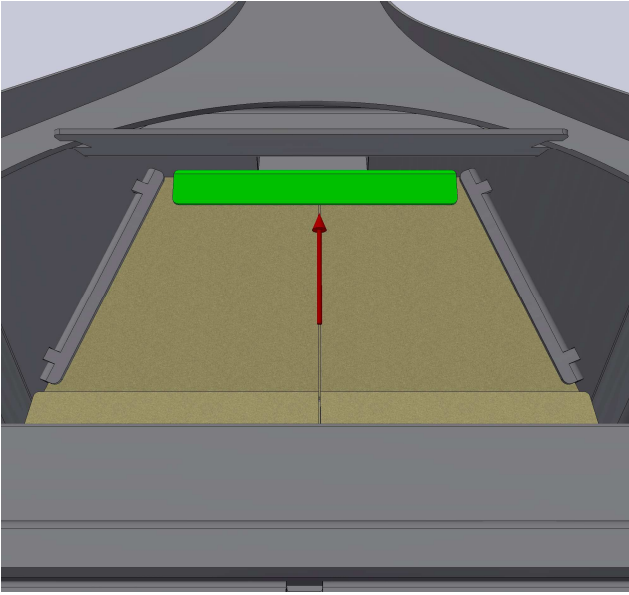


C.15 (Drop)

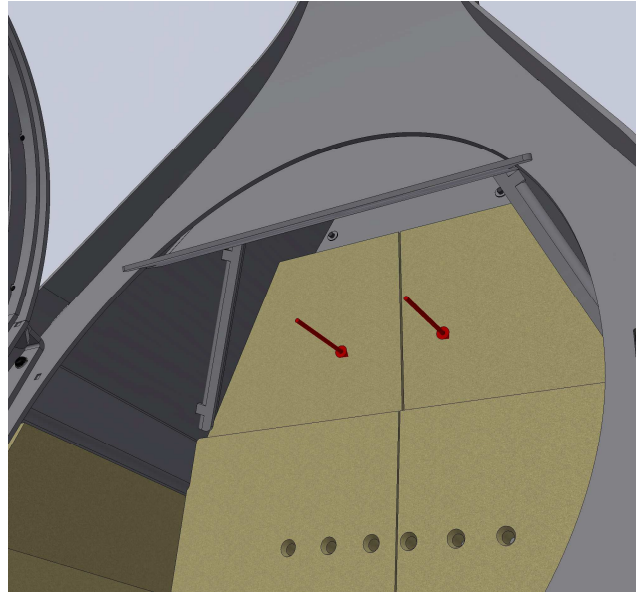


IV

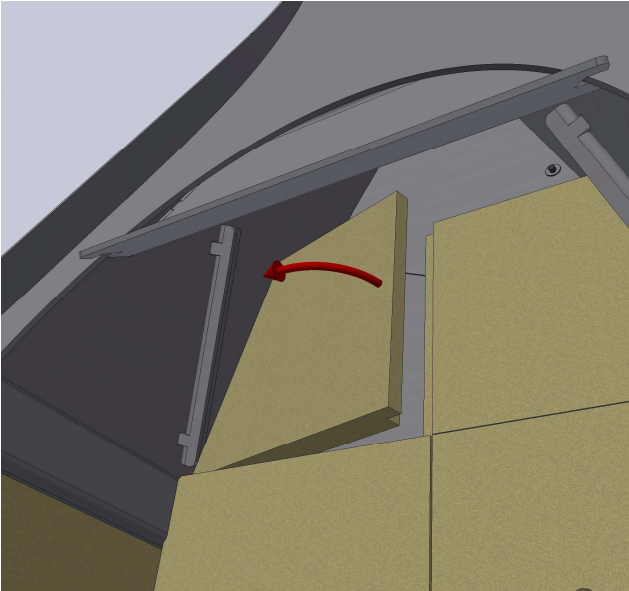
C.8 (Mini Drop)



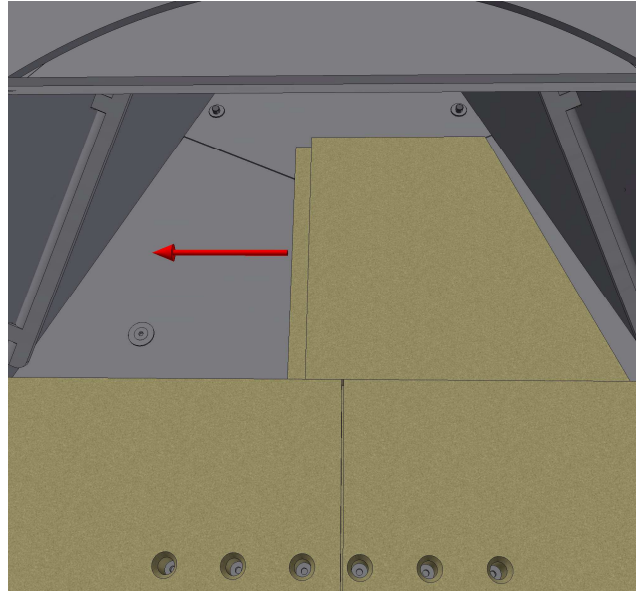
C.9 (Mini Drop)



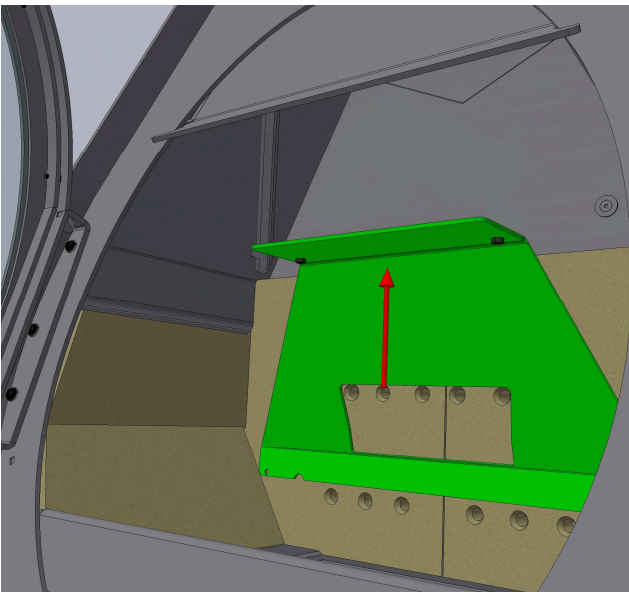
C.10 (Mini Drop)



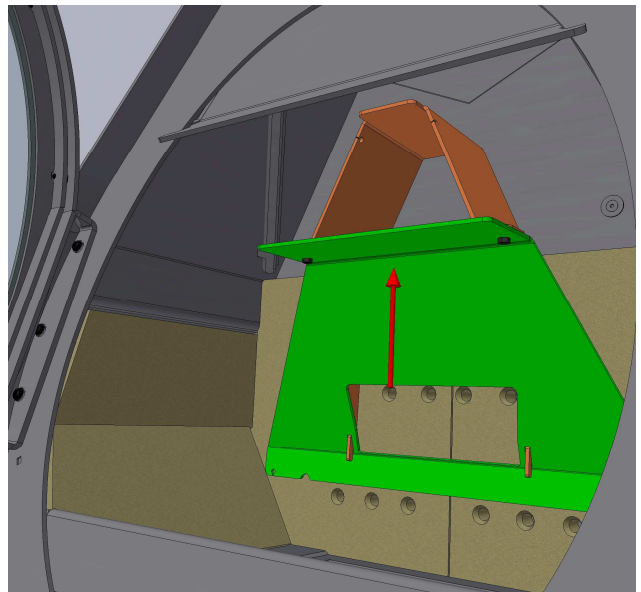
C.11 (Mini Drop)



C.12A (Mini Drop)

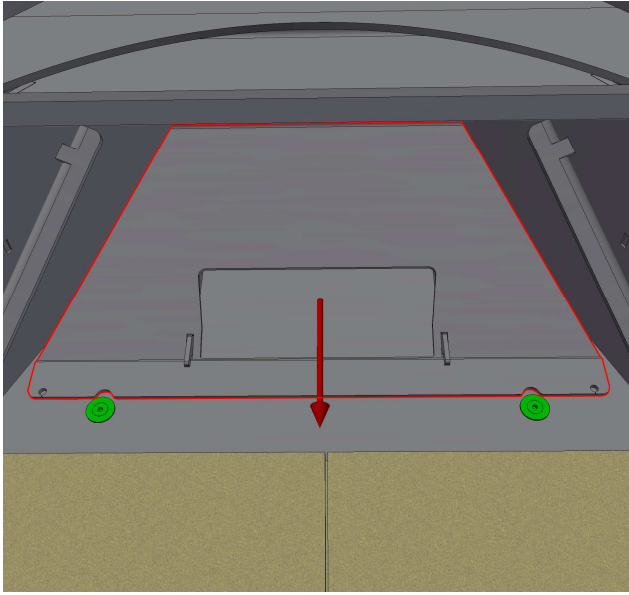


C.12B (Mini Drop)

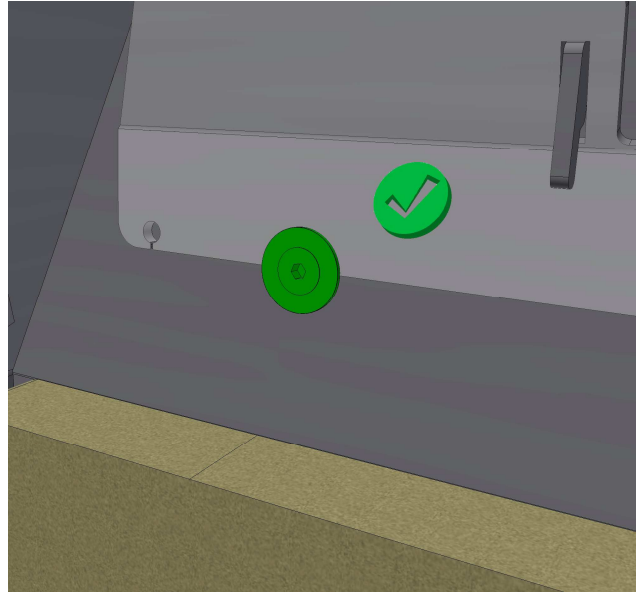


IV

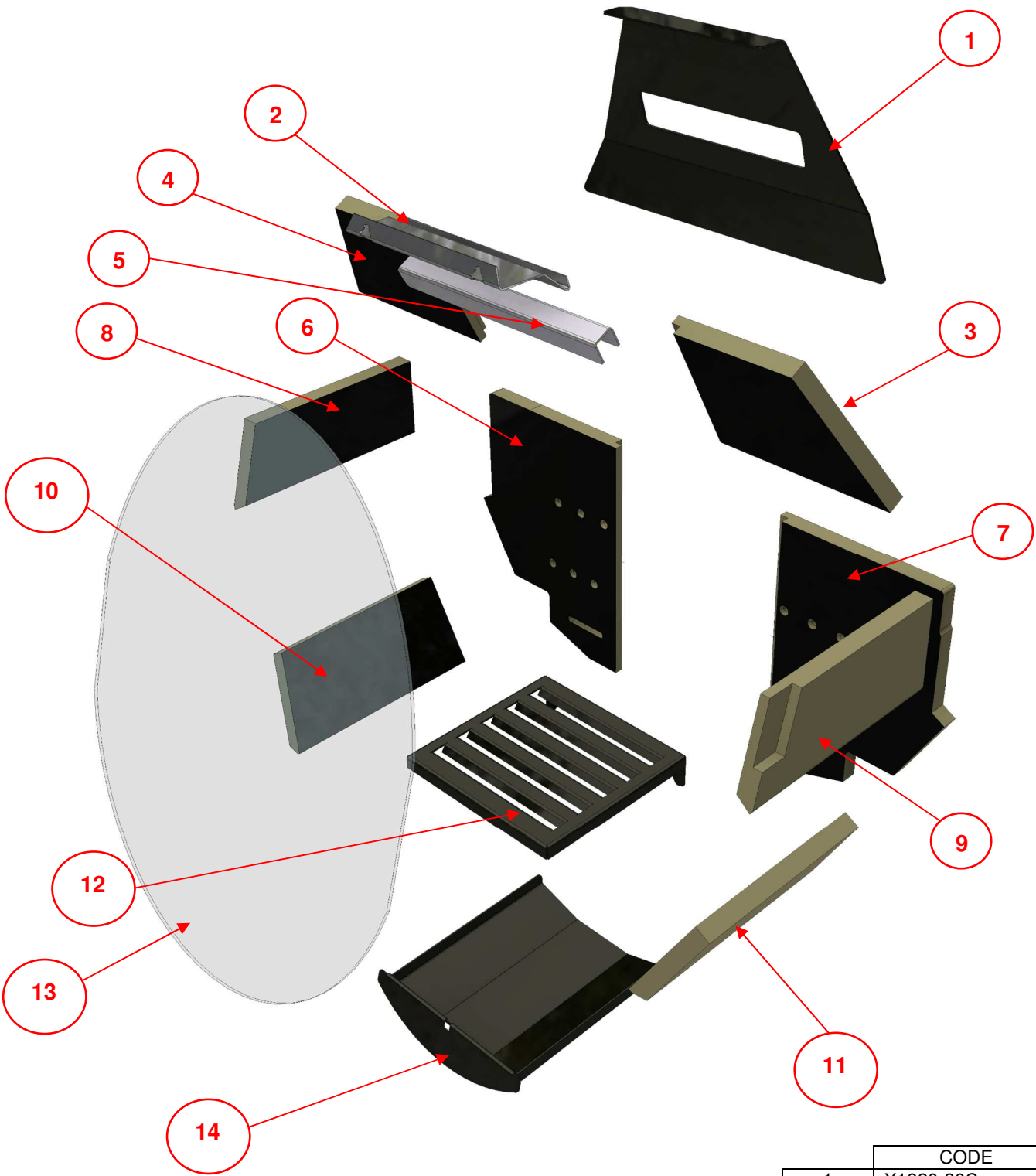
C.13 (Mini Drop)



C.14 (Mini Drop)

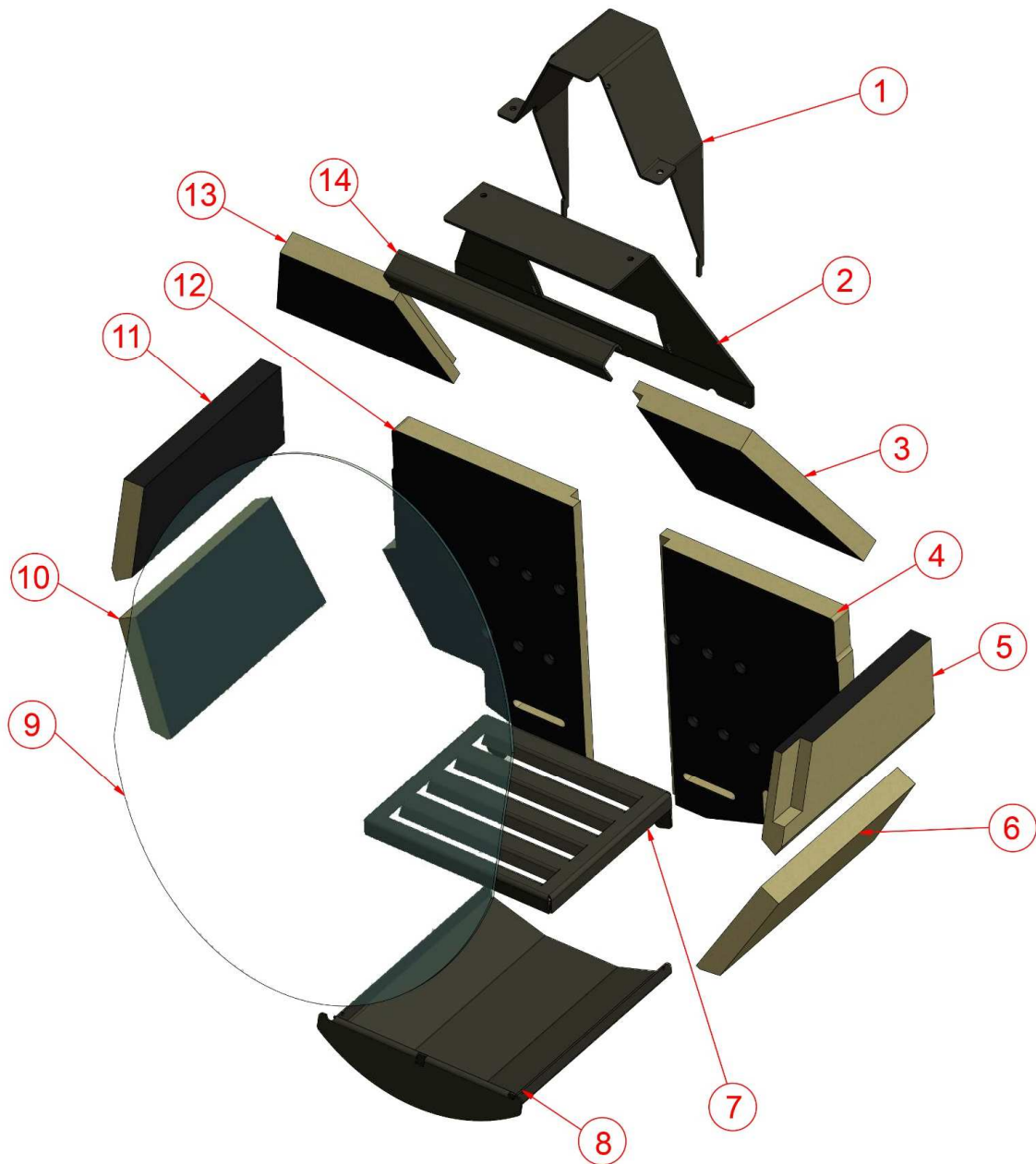


V (Drop)



	CODE
1	X1320-36C
2	X1320-36B
3	VRX1320-6D
4	VRX1320-6E
5	X1320-36A
6	VRX1320-12
7	VRX1320-11
8	VRX1320-5
9	VRX1320-4
10	VRX1320-2
11	VRX1320-3
12	X1320-40
13	X1320-200
14	X1320-35

V (Mini Drop)



	CODE
1	X1321-36D
2	X1321-36C
3	VRX1321-6D
4	VRX1321-11
5	VRX1321-4
6	VRX1321-5
7	X1321-40
8	X1321-35
9	X1321-200
10	VRX1321-5
11	VRX1321-2
12	VRX1321-12
13	VRX1321-6E
14	X1321-36A