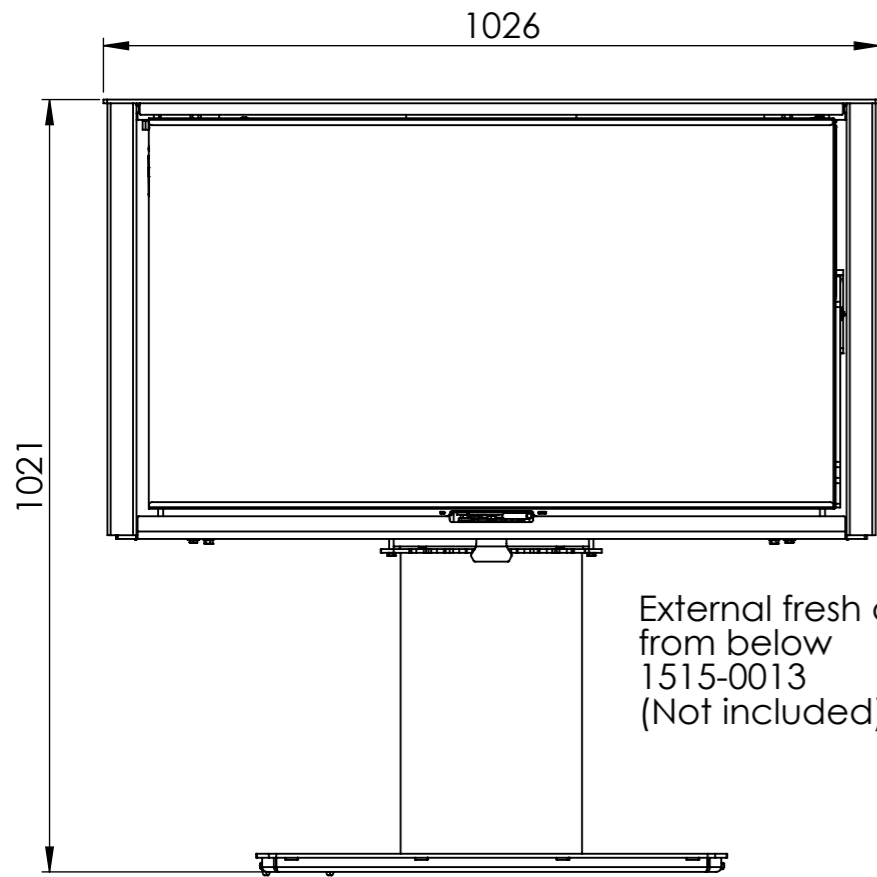
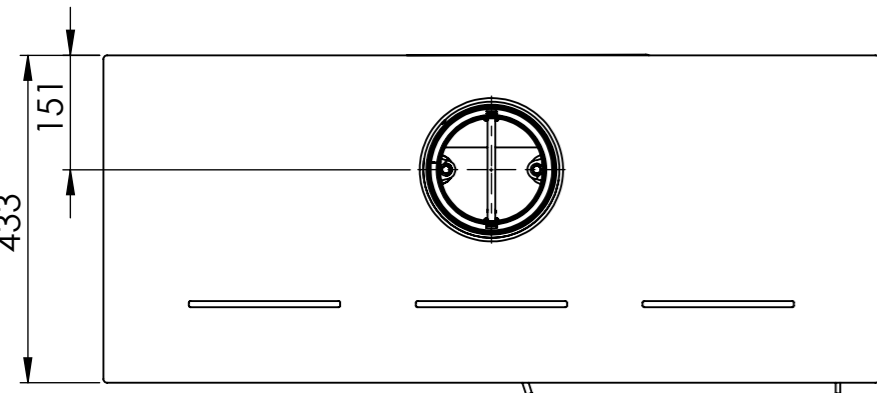
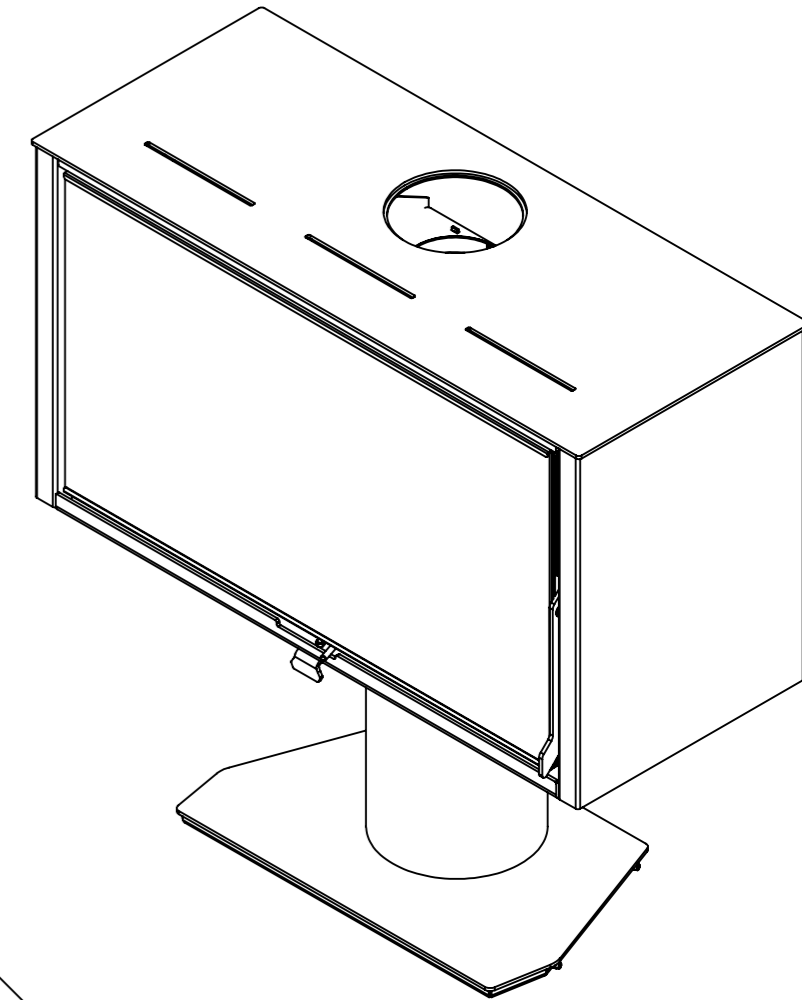
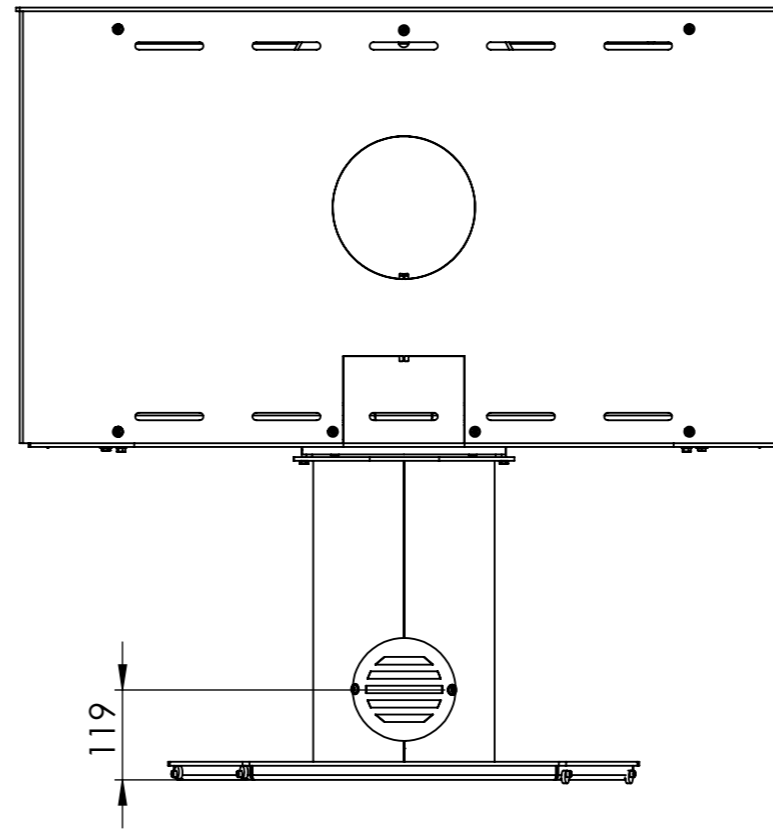
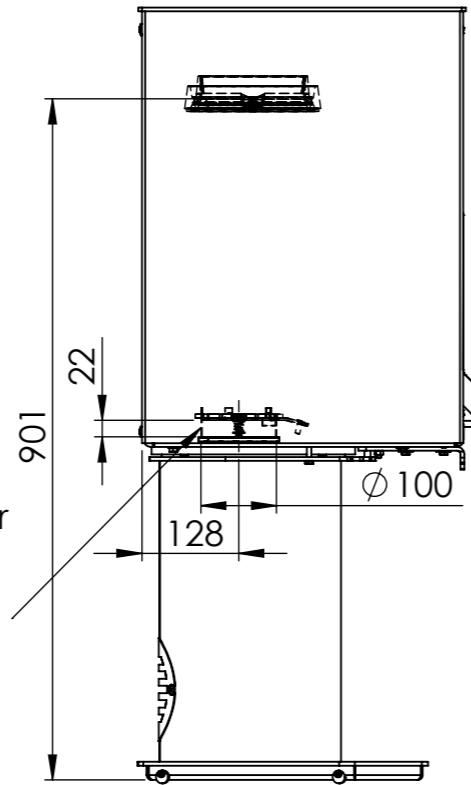




Serie	Scan-Line 100
Description	Scan-Line 100R turnable pedestal



External fresh air from below 1515-0013 (Not included)



External fresh air from below 1515-0012 (Not included)

